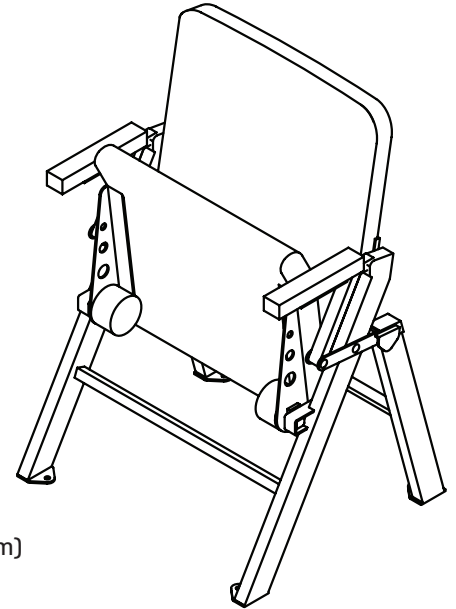
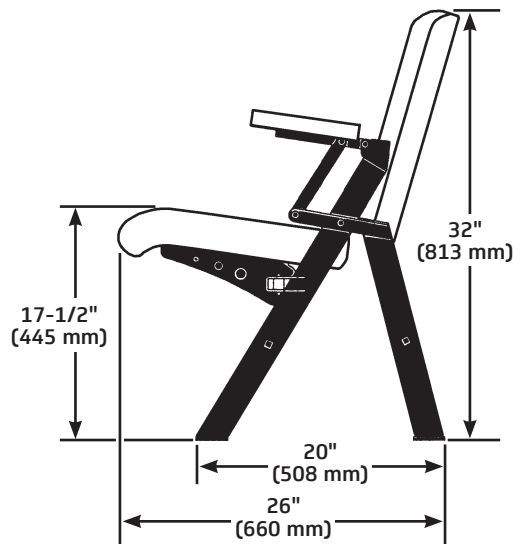


Portable Audience Chair – Standard Model

- Portable Audience Chair – Standard 027A101._ 35 lb (16 kg)
- Freestanding, folding, audience seating chair with built-in ganging device
- Steel chair frame is constructed with 16-gauge continuous electric welded 1" x 2" (25 x 51 mm) rectangular steel tube
- Frame is finished with a durable black powder-coat paint
- Yellow birch hardwood arm rest in black lacquer finish with rounded corners for a stylish appearance
- The chair folds for storage and transport on the accessory cart
- Seat and back are upholstered with durable 100% polypropylene fabric (Genesis style from Geo. Sheard Fabrics)
- Seat cushion is 2-1/2" (64 mm) thick, high-resiliency polyurethane foam with a 5 ply-3/8" (10 mm) contoured hardwood plywood substrate
- Back cushion is 1-1/2" (38 mm) thick, high-resiliency polyurethane foam with a 5 ply-3/8" (10 mm) contoured hardwood plywood substrate
- Back cushion is shaped to provide lumbar support for long-term comfort
- Chair seat is spring-loaded and returns to a folded position when not occupied
- Overall chair height is 32" (813 mm) with a seat height of 17-1/2" (445 mm); chair depth (back of chair to front edge of seat in the "down" position) is 26" (660 mm)
- When the seat automatically returns to the "up" position, the chair depth is 20" (508 mm)
- ANSI/BIFMA x 5.1-2002
- ASTM F851-87 (2000)
- Ten-year warranty



Chair Model	Size Outside to Outside	"Arm Rest" Center to Center
21	21" (533 mm)	19" (483 mm)
22	22" (559 mm)	20" (508 mm)
23	23" (584 mm)	21" (533 mm)
24	24" (610 mm)	22" (559 mm)
25	25" (635 mm)	23" (584 mm)



Common Dimensions

Options

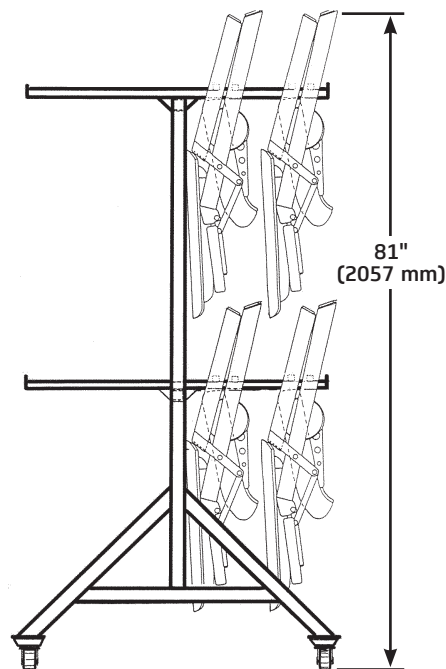
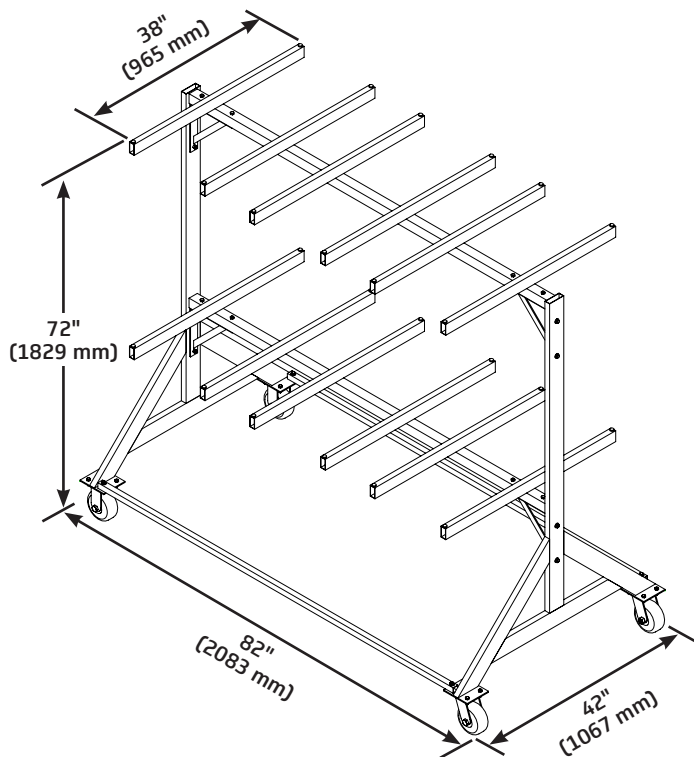
- Number/Letter sets are magnetic or self-adhesive in brushed gold with black lettering
- Blank donor plates in brushed gold for engraving by the customer
- Armrest relief to accept donor plates
- Drink holder - right arm only

Storage/Transport Cart

- 027A036 150 lb (68 kg)
- Rack, move, and store up to 24 Wenger portable audience seating chairs
- Steel construction with easy-roll casters
- Overall cart dimensions: 72"h x 82"w x 42"d (1829 x 2083 x 1067 mm), cart will NOT fit through a standard 32" (813 mm) door
- Overall cart dimensions with stored chairs: 81"h x 82"w x 42"d (2057 x 2083 x 1067 mm)
- Ten-year warranty
- Assembly required

Dust Cover

- 027A037
- Vinyl coated polyester
- For use with chairs stacked on cart



Wenger

JRCLANCY

GEARBOSS

© 2024 Wenger Corporation
USA/2024-03

Minnesota Location

Wenger Phone 800.4WENGER (493-6437) Wenger Worldwide +1.507.455.4100 | Parts & Service 800.887.7145 | wengercorp.com
GearBoss Phone 800.493.6437 | gearboss.com
555 Park Drive, PO Box 448 | Owatonna | MN 55060

New York Location

J.R. Clancy Phone 800.836.1885 JR Clancy Worldwide +1.315.451.3440 | jrclancy.com | 7041 Interstate Island Road | Syracuse | NY 13209